

TOUCHENTRY[®]-XT

Installation Manual

Updated 02/2020 – Version 0.9

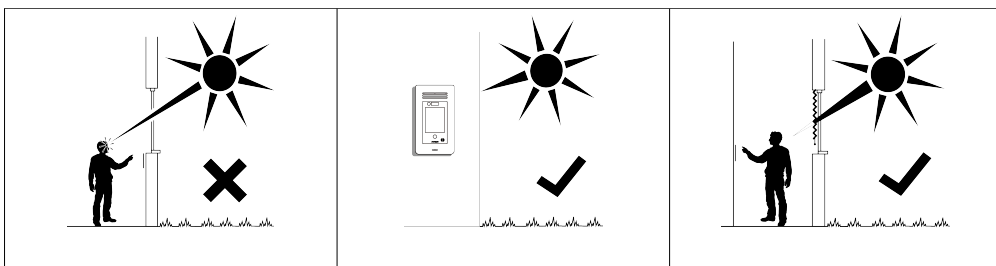
1. Preparations

1.1 Content of delivery

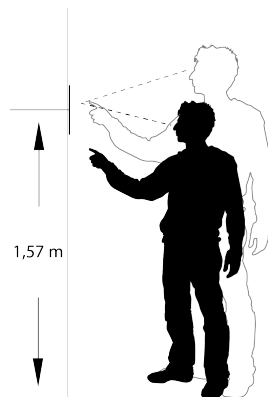
- TouchEntry-XT terminal
- 1 x Wall mounting bracket (depending on order option: surface-mounted or flush-mounted)
- 3 x RFID-cards: green, red, grey
- mounting kit
- 1 x installation manual

1.2 Location

- Indoor and outdoor use (-20°C to +60°C temperature range)
- The terminal is suitable for outdoor use with high brightness. However, a direct incidence of sunlight into the lenses (morning/evening sun) should be avoided:



Recommended mounting height: 1.57 m, Center of the terminal



1.3 Interfaces

All connections are located on the bottom of the terminal.

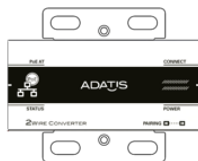
1.3.1 Ethernet, Power over Ethernet (PoE)



An Ethernet connection can be established via the Ethernet socket.

For power supply via Ethernet (PoE) a PoE-capable switch or a PoE injector is required.

1.3.2 2Wire connection



If the terminal was ordered with the 2Wire option, the wire ends of the 2Wire cable must be connected to the 2Wire socket.

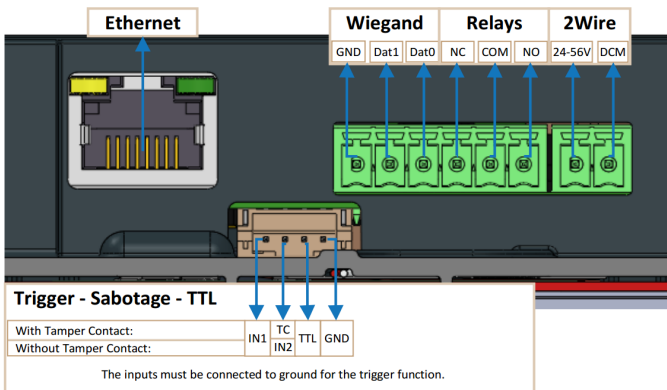
For long distances, it is important to ensure a sufficient wire cross-section.

For more information, refer to the installation guide and manual of the 2Wire converter.

1.3.3 Connections of the terminal

Bottom

- Ethernet, 10/100BaseT mit RJ45-Buchse
- 2-wire socket (for option 2-wire kit)
- Wiegand output
- 1 x Trigger input and 1 x Tamper contact or 2 x Tamper contacts
- 1 x Relay, e.g. door opener
- 1 x TTL output

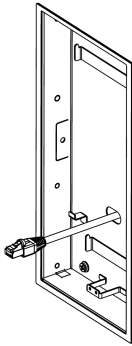


2 Wall mounting

The terminal is pre-assembled on delivery. Depending on the order option, the terminal is delivered with a flush-mounted housing or a wall bracket for surface mounting. In the following the flush mounting is shown. Surface mounting can be done in the same way.

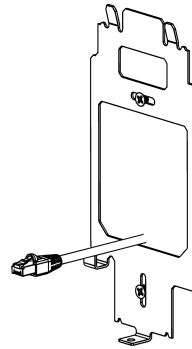
Use the appropriate wall bracket:

Flush-mounted:



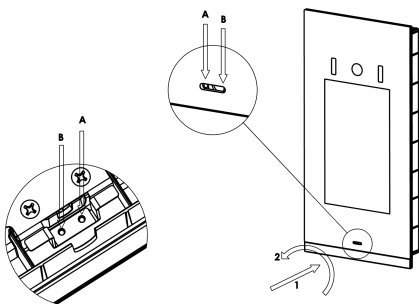
1

Surface-mounted:



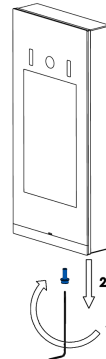
Using the Allen key, turn the screws below the display (flush mount) or the screw below the terminal (surface mount) counterclockwise until the terminal can be pushed upwards and detached from the wall bracket:

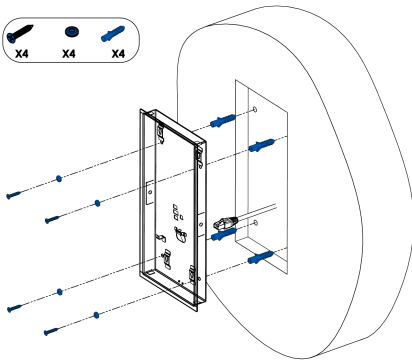
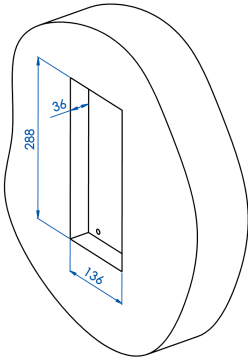
Flush-mounted:



2

Surface-mounted:





3 **Only Flush-mounted:**

For flush mounting, a wall cut-out with the following dimensions must be made:

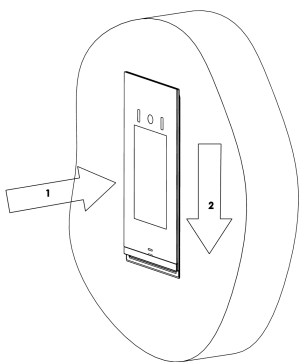
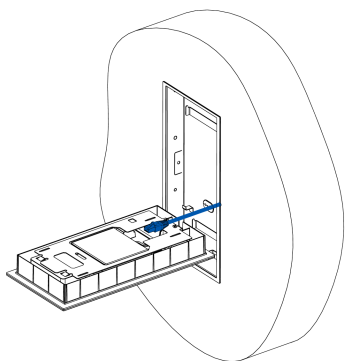
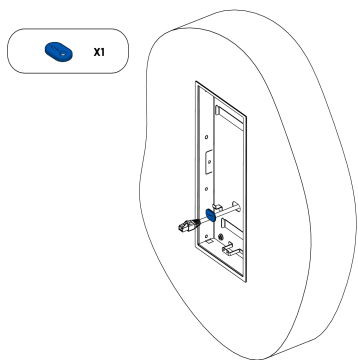
288mm (h) x 136mm (w) x 36mm (d)

4 Use the flush housing to mark the drill holes.

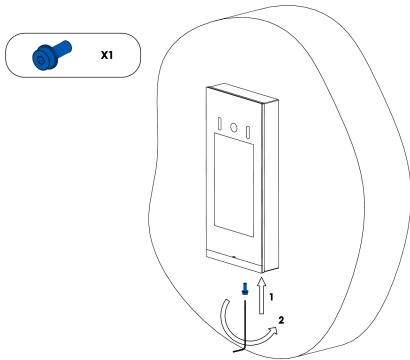
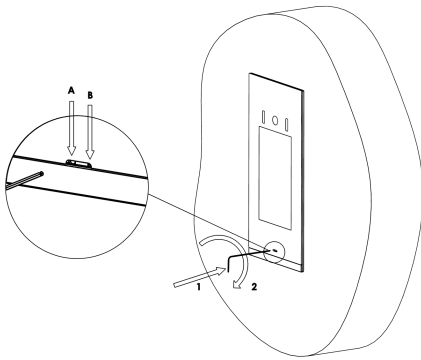
Make sure that the flush-mounted housing is oriented correctly. When correctly mounted, the opening for the cables is located in the lower half.

Pull the Ethernet cable through the cut-out on the back of the terminal.

Use the screws, seals and dowels from the mounting kit to fix the flush-mounted housing to the wall.



- 5 Pull the seal over the Ethernet cable and press the seal into the cut-out in the back of the flush-mounted housing.
- 6 Plug the Ethernet cable into the Ethernet socket on the back of the terminal.
- 7 Insert the terminal into the flush-mounted housing and push the terminal down until it snaps into place.



- 8 **Only Flush-mounted:**
Check that the screws in the holes of the flush-mounted housing have been inserted correctly.

Tighten the screws (A and B) below the display clockwise using the Allen key.

- 9 **Only Surface-mounted:**
Using the Allen key, tighten the screw below the terminal clockwise.

If correctly installed, the terminal must not be able to be moved.

3 Configuration

The manual for configuring and operating the XT door terminals can be found on the Adatis website under Products - XT:

www.adatis.com